

The appliance of composite science to underground access covering

C250 Composite Covers

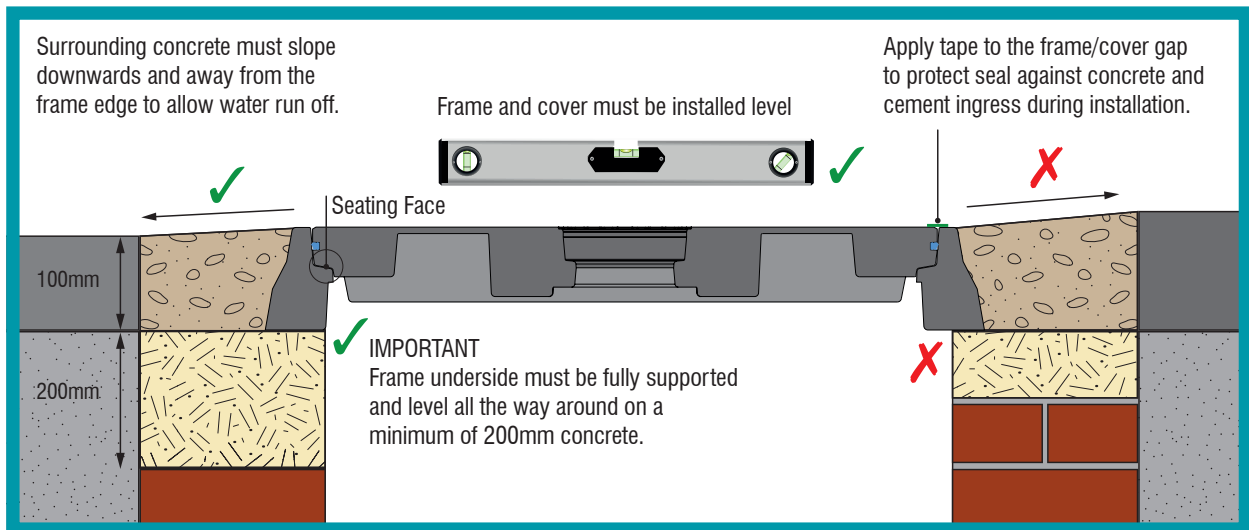
Handling & Installation
Removal & Replacement
Care & Maintenance Guide



1. Handling & Installation

Frames and covers should only be installed using the installation and fitting guidelines below.

1. Frame must be fully supported on a concrete base all the way around.
2. Frame must be seated perfectly level.
3. Frame and cover seating faces must be thoroughly cleaned before inserting the cover into the frame.



Following the correct installation guidelines will ensure a long and trouble free life for both the frame and cover



1. To ensure frames are not installed distorted or twisted we advise the cover is placed in the frame when set on mortar and concreted in place.
2. Do not allow cement or concrete to set hard on the surface of the cover and frame during installation.



1. Um sicherzustellen, dass die Rahmen nicht deformiert oder verdreht installiert werden, empfehlen wir, die Abdeckung im Rahmen zu platzieren, wenn dieser in Mörtel eingelegt und betoniert wird.
2. Zement und Beton dürfen während der Installation nicht auf der Oberfläche der Abdeckung und des Rahmens hart werden.



1. Pour vous assurer que les cadres ne sont pas déformés ou tordus, nous vous conseillons de placer le couvercle dans le cadre lorsqu'il est fixé au mortier et bétonné.
2. Ne laissez pas le ciment ou le béton durcir à la surface du couvercle et du cadre lors de l'installation.



1. Para asegurarse de que los marcos no se instalen deformados o torcidos, aconsejamos que la cubierta se coloque en el marco cuando se fije en la argamasa y se emplace en el hormigón.
2. No permita que el cemento o el hormigón se endurezcan en la superficie de la cubierta y el marco durante la instalación.

Please hand to installation and service team!

Prrière de déléguer à l'équipe d'installation et de service!
Bitte dem Installations-und Service-Team übergeben!
Por favor, entregue al equipo de instalación y servicio!

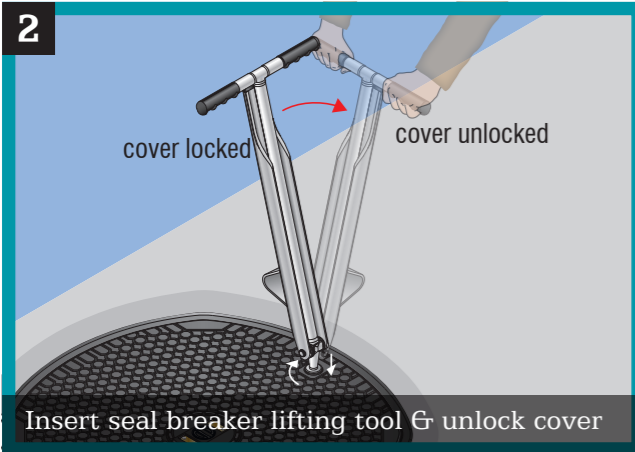


2. Cover Removal



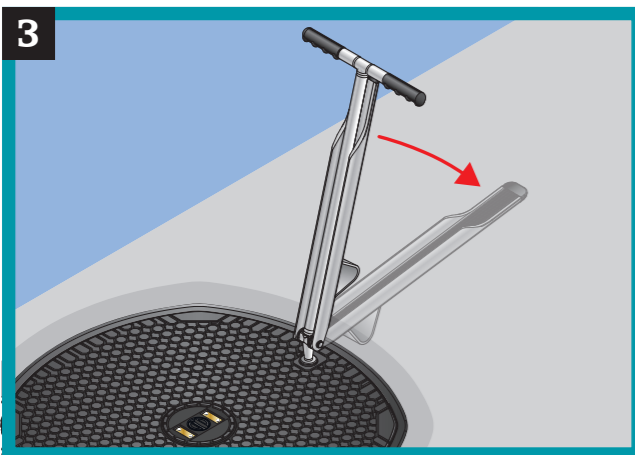
Remove cover lock security plug

Insert lifting tool into cover lock security plug, turn through 90° anti-clockwise, unscrew and remove. DO NOT lose security plug.

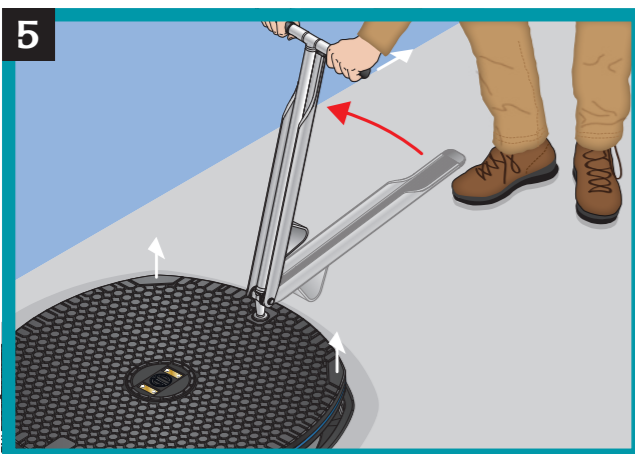


Insert seal breaker lifting tool & unlock cover

Insert lifting tool into the keyhole and turn the handle through 90° clockwise towards you to automatically disengage the cover lock.

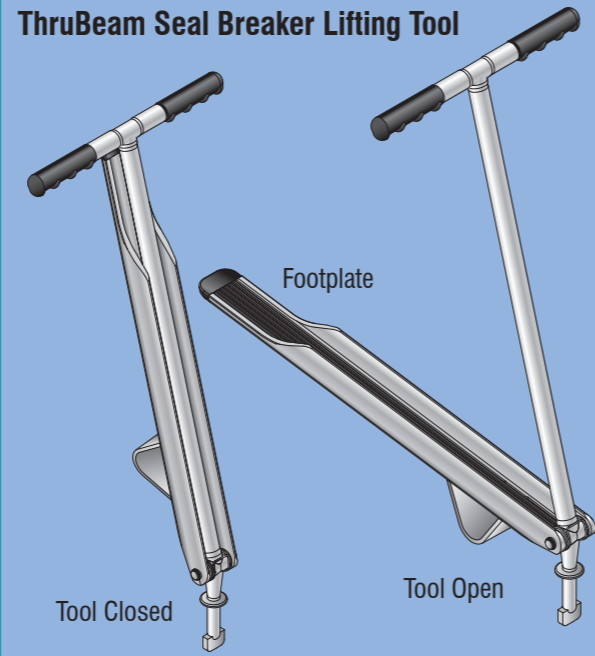


Release the foot plate from the seal breaker lifting tool.



Fold back the foot plate into the lifting tool and lift cover from frame.

ThruBeam Seal Breaker Lifting Tool



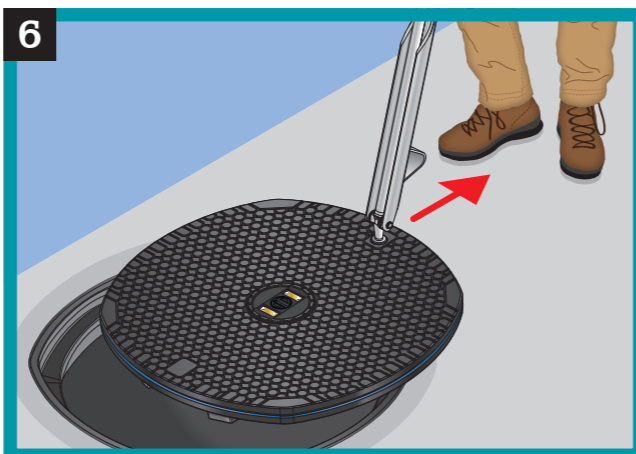
ONLY USE THE THRU BEAM LIFTING TOOL

DO NOT attempt to lift covers and dip caps with any other tooling device, this will damage the cover, seal and locking mechanism.

Evidence of a failure to use the ThruBeam Seal Breaker Lifting Tool will invalidate the product warranty.



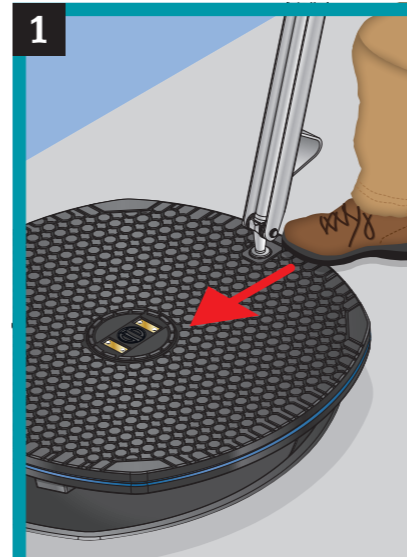
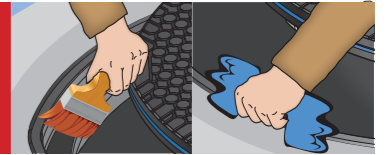
Press down firmly on the foot plate to release the cover from frame.



Cover can now be pulled safely back away from the frame.

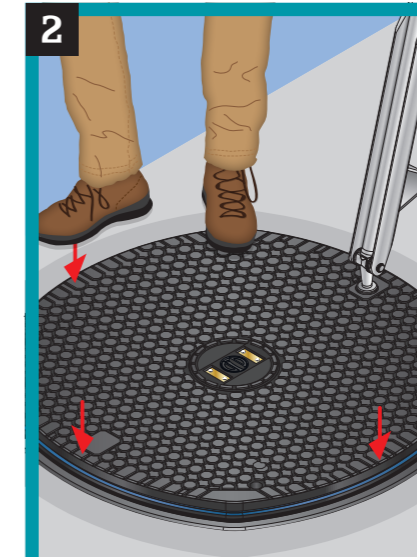
3. Cover Replacement

Before re-inserting the cover back in its frame, ensure the seating face of the frame and cover is clean and free of any debris or stones. Clean the frame seal with a damp cloth and wipe the inside of the frame thoroughly.



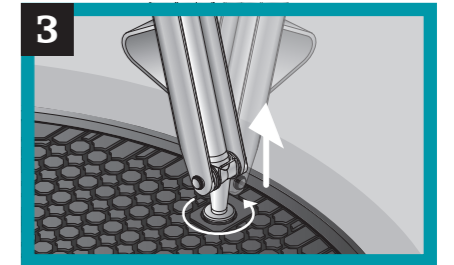
Ensure lifting tool is inserted and in the position above before pushing cover.

Push cover back into frame using your foot. Keep fingers away from cover/frame edge.

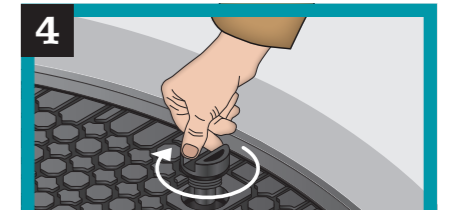


Keep lifting tool inserted and in the above position whilst re-instating cover to frame.

Stamp cover down firmly to engage seal. DO NOT use a hammer to aid replacement.



Turn tool 90° anti-clockwise to engage lock and lift tool free of the lock housing.



Clean the lock housing, check and clean the plug and seal before re-inserting.

Turn the security plug clockwise to tighten. A firm finger tight seal will be sufficient.

4. Dip Cap Removal



Remove centre security plug

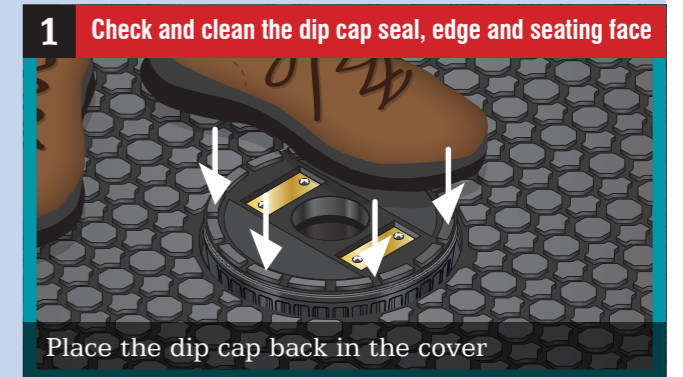
Insert lifting tool into centre security plug, turn through 90° anti-clockwise, unscrew and remove.



Lift out the dip cap

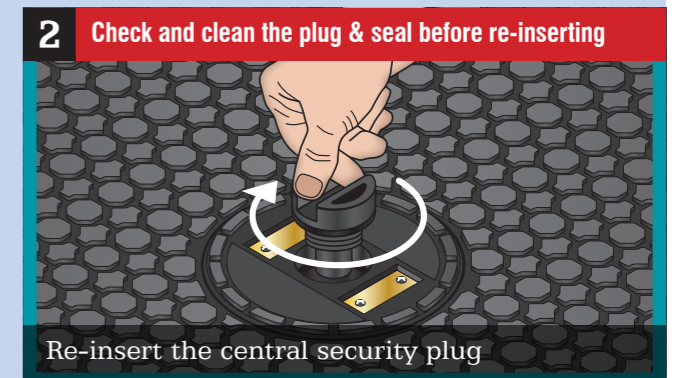
Insert lifting tool into the centre hole, turn tool through 90° and lift out the dip cap.

5. Dip Cap Replacement



Place the dip cap back in the cover

Apply pressure with foot to secure the dip cap back in position. Tread down firmly. DO NOT use a hammer to aid replacement.



Re-insert the central security plug

Turn the security plug clockwise to tighten. A firm finger tight seal will be sufficient.

6. Care & Maintenance Guidelines

ThruBeam[®]
COVERS

ThruBeam covers and frames can only perform to the highest standards if they are routinely checked and maintained in accordance with our guidelines.

Thorough cleaning of seals, frame seating face and cover edges at each lift is essential.

Damaged or missing seals and missing key housing security plugs should be immediately replaced.

We advise all cover service teams carry a full ThruBeam maintenance kit which contains all the necessary replacement components.



C250 Kit Contains

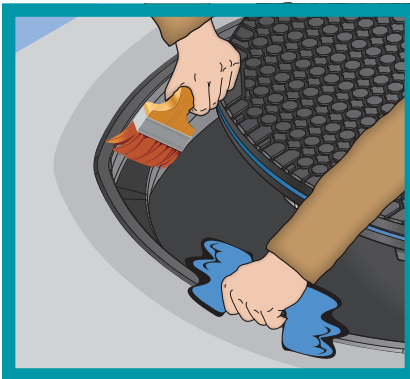
- x1 Soft Brush
- x1 Scraper
- x1 Micro Fibre Cleaning Cloth
- x1 Multi Purpose Cleaner
- x6 Key Housing Plugs with seals
- x1 Cover seal for C250/D400
- x2 Dip Cap seals



Individual maintenance components can be ordered separately.

Call 01229 814340 to order the C250 Care & Maintenance Kit

Routine cleaning procedure

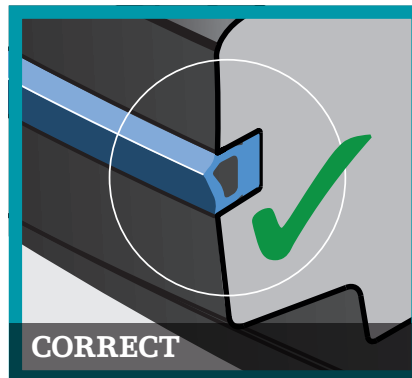


The frame seating face should be brushed and cleaned every time the cover is lifted.

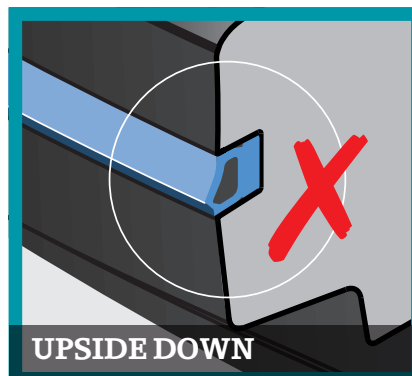


Cover seals and seating faces should be cleaned with a damp microfiber cloth.

Cover Seal Orientation

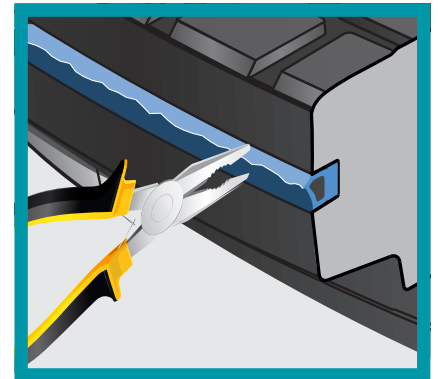


CORRECT

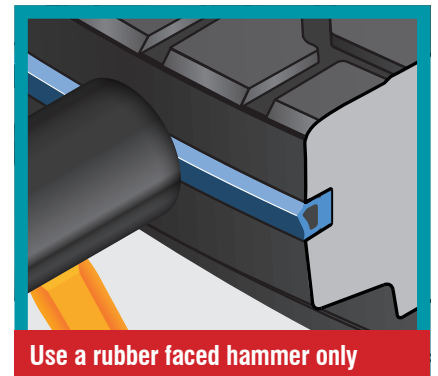


UPSIDE DOWN

Cover Seal Replacement



Remove damaged seal. Inspect & clean the seal channel with a damp microfiber cloth.



Use a rubber faced hammer only

Ensuring correct orientation. Taking care, 'gently' tap new seal into position.



Structural Science Composites Ltd

8 James Freel Court, James Freel Close, Barrow In Furness, UK, LA14 2NG
T: +44 (0)1229 814340 E: covers@structuralscience.net W: www.thrubeam.co.uk